

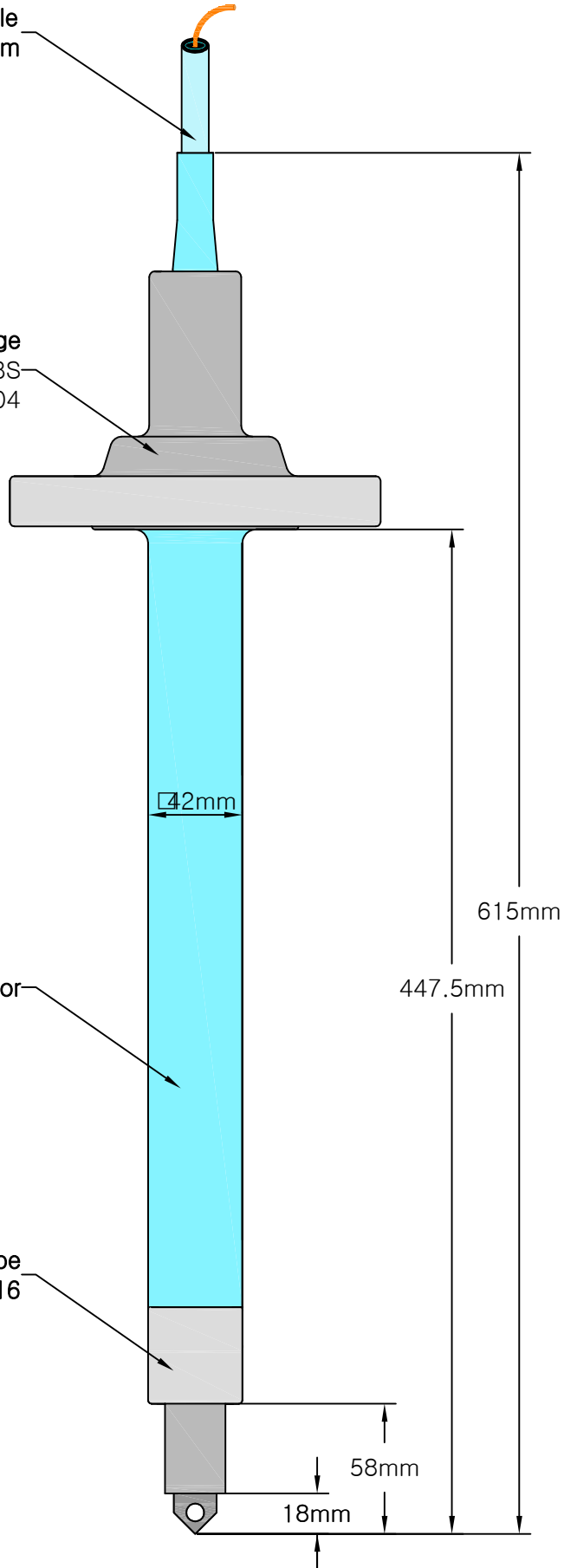
VESSEL ENTRANCE BUSHING
Model : GITF-2-300-2000

PTFE Film wrapped tail cable
L2000mm~3000mm

Connection Flange
2" 300LBS
AISI 304

PTFE Insulator

Connector tube
AISI 316



Interchangeable with : TS-75-1, LF-135